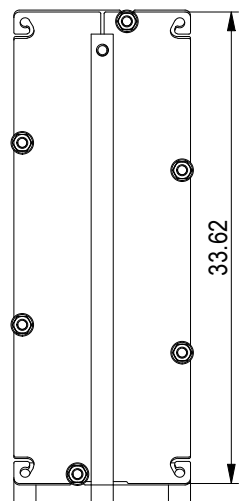
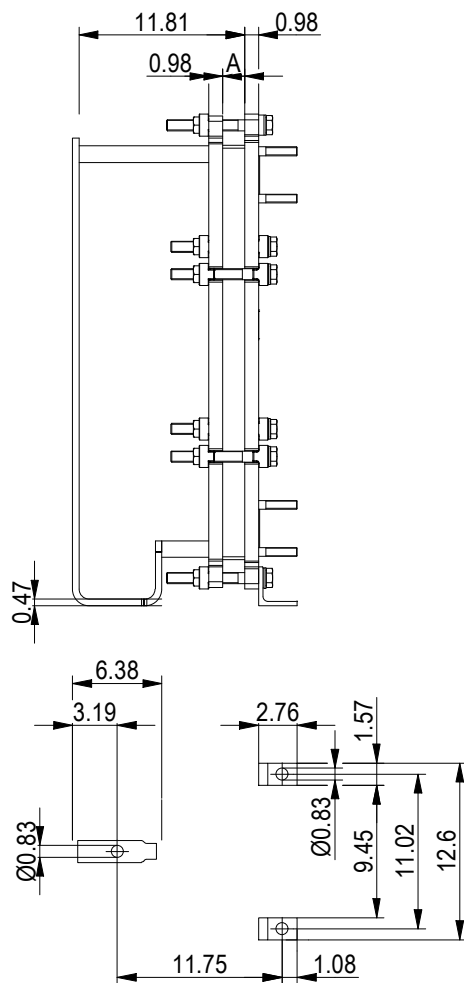


This document and its contents are subject to copyrights and other intellectual property rights owned by Alfa Laval (pub) or any of its affiliates (Alfa Laval). No part of this document may be copied, reproduced or transmitted in any form or by any means, or for any purpose, without Alfa Laval's prior express written permission. Information and services provided in this document are made as a benefit and service to the user, and no representations or warranties are made about the accuracy or suitability of this information and these services for any purpose. All rights are reserved.

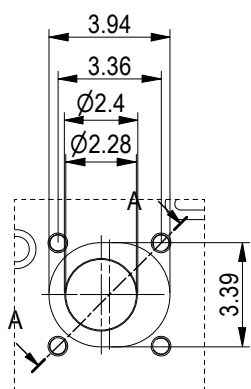
PRESSURE PLATE
(MOVABLE)



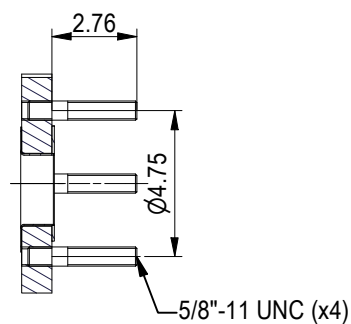
Space between pressure plate and supporting column should be kept free from fixed installations!



ASME B16.5 Class 150 NPS 2
S1, S2, S3, S4



A-A:
ALLOY 316

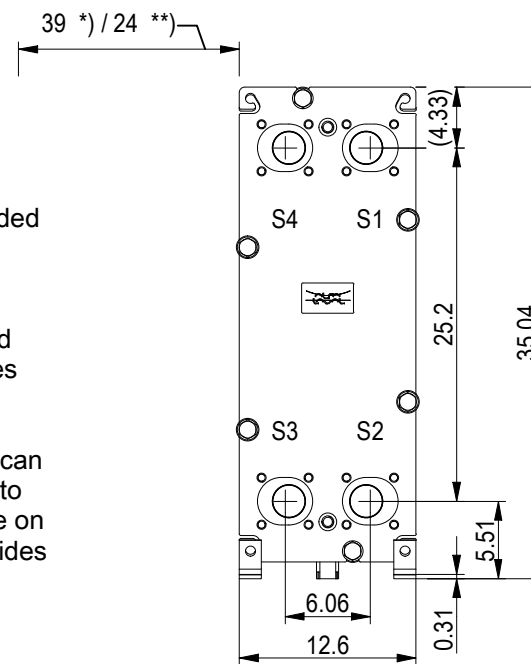


NO. OF UNITS

1

null GPM
null GPM

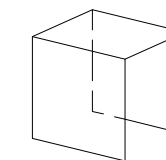
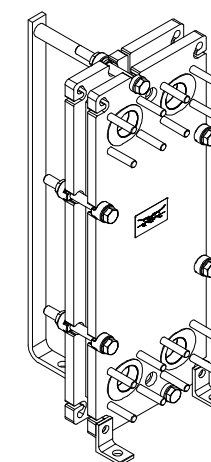
FRAME PLATE



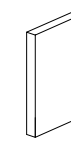
*) Recommended free space for opening and closing to be applied on both sides

**) Free space can be reduced to this distance on one of the sides

All dimensions in inches



PROTECTION SHEET



PRESSURE PLATE



FRAME PLATE

APPROX. OUTER DIMENSIONS

LENGTH	17.3 in
WIDTH	13.0 in
HEIGHT	34.6 in

APPROX. WEIGHTS

NET WEIGHT, EMPTY	270 lb
WEIGHT FULL OF WATER	279 lb

PLATE MATERIAL ALLOY 316

PLATE THICKNESS 0.5 mm

GASKET NBRP ClipGrip™

AREA OF HEAT SURFACE null ft²

CHANNEL ARRANGEMENT 1*7 MH

/ 1*7 ML



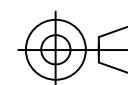
www.alfalaval.com

DRAWING
GASKETED PLATE HEAT EXCHANGER

T6-BFG

ASME
Code Section VIII Div.1

MAWP 150 psi at 150.1 °F
MDMT 32.0 °F at 150 psi
Designed and constructed in accordance with the 2019 ASME Code.



8240152969
T6-BFG, 15 plates

Do not use this drawing for foundation bolting or piping layout

DATE 4/27/22
REVISION 0